

GENERAL INSTALLATION INSTRUCTIONS


Access Door Interlock Safety Switch

 **CAUTION! Never Expose Eyes or Skin to UV-C light – Completely Read all Materials before Starting**

SAFETY CONSIDERATIONS

Improper installation, adjustment, alteration, service, maintenance, or use can cause fire, electrical shock, or other conditions which may cause personal injury or property damage. Consult a qualified installer, service agency, or your supplier for information or assistance. The qualified installer or agency must use factory kits or accessories when installing this product. Refer to the individual instructions packaged with kits or accessories when installing them. Follow all safety codes, wear safety glasses and work gloves. Read all instructions thoroughly and follow any warnings or cautions attached to any accessed area. Consult local building codes and the National Electrical Code (NEC) for all applicable requirements.

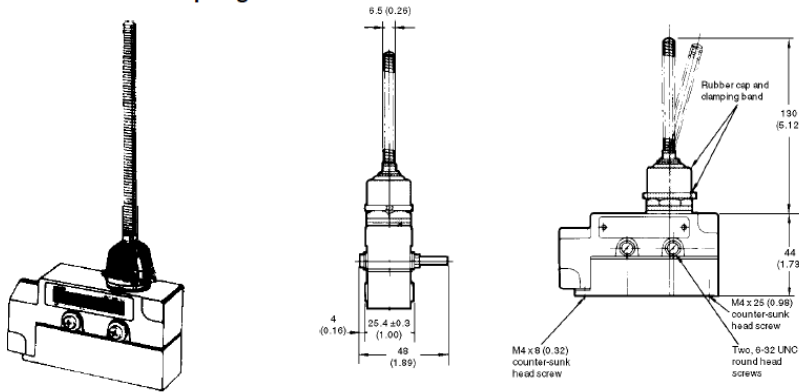
Understand the signal words DANGER, WARNING or CAUTION. These words are universally used for overall safety. DANGER identifies the most serious hazards, which will result in severe personal injury or death. WARNING signifies hazards, which could result in personal injury or death. CAUTION is used to identify unsafe practices, which would result in minor personal injury or product and property damage.

 **WARNING:** Before installing or servicing this unit, turn off and lock-out all power, there may be more than one (1) switch.

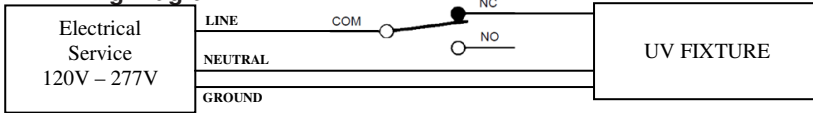
NOTE: **Access Door Interlock Safety Switch** should not be used as a main disconnect for the UV-C Light assembly. A power switch should be used outside of the unit, next to the UV-C Light assembly access as the main disconnect. The Access Door Safety Switch is to be used as a secondary “safety interlock” to be sure the lamps are off if the plenum is accessed accidentally.

■ Dimensions


ZE-NJ-2S Sealed Coil Spring Switch



■ Wiring Diagram:



*Switch is wired as "normally closed" (NC) so that power disconnects when the switch is actuated by an opened door.

 **CAUTION: Using the Access Interlock Safety Switch in any other method than shown voids product warranty and may do damage to the entire system.**

■ RATINGS

Maximum Carrying Currents

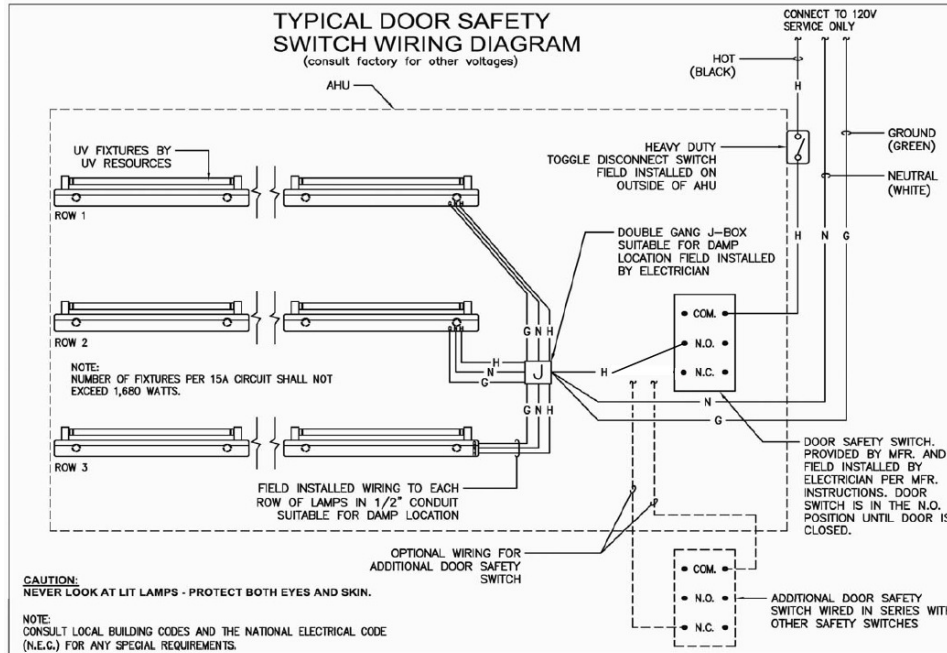
Rated voltage	Non-inductive load (amps)				Inductive load (amps)				Inrush current (amps)	
	Resistive load		Lamp load		Inductive load		Motor load		NC	NO
	NC	NO	NC	NO	NC	NO	NC	NO		
125 VAC	15	15	3	1.5	15	15	5	2.5	30 max.	15 max.
250 VAC	15	15	2.5	1.25	15	15	3	1.5		
480 VAC	10	10	1.5	0.75	6	6	1.5	0.75		
125 VDC	0.5	0.5	0.5	0.5	0.05	0.05	0.05	0.05		
250 VDC	0.25	0.25	0.25	0.25	0.03	0.03	0.03	0.03		

Note:
 1. Inductive load has a power factor of 0.4 minimum (AC) and a time constant of 7 msec (DC).
 2. Lamp load has an inrush current of 10 times the steady-state current, while motor load has an inrush current of 6 times the steady-state current.

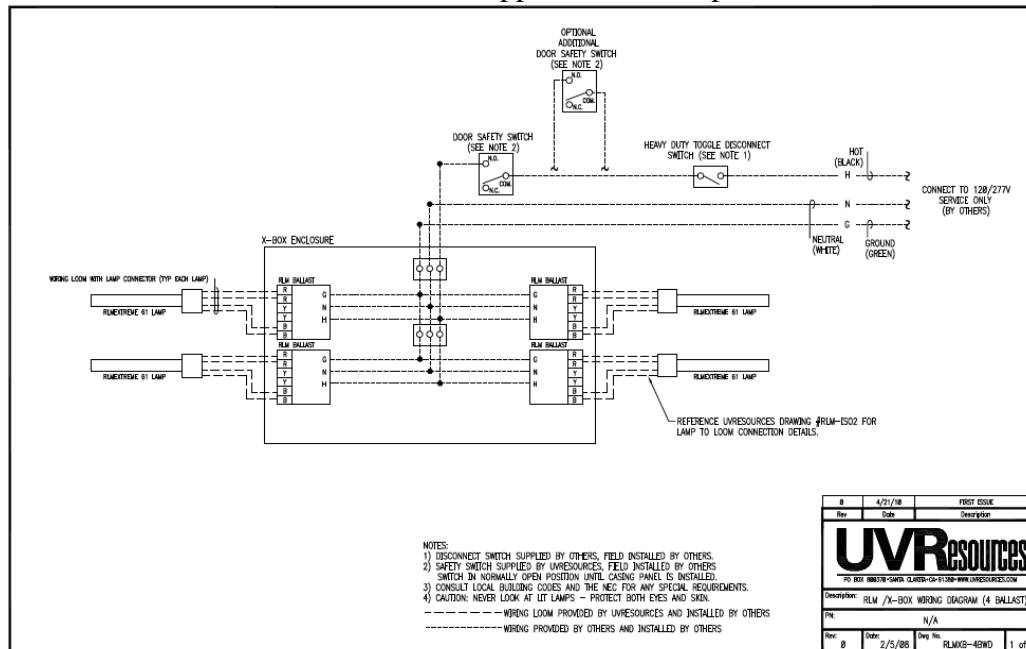
CHARACTERISTICS

Enclosure rating	UL	Types 3, 4, and 13
	NEMA	Types 1, 2, 3, 4, 5 for "-N types";
	IEC 144	IP65 for "-N types";
Ambient operating temperature		-10° to 80°C (14° to 176°F)
Vibration	Malfunction durability	10 to 55 Hz, 1.5 mm (0.06 in) double amplitude
Shock	Malfunction durability	20 G
	Mechanical durability	100 G

DEF Application Example



RLM Xtreme Application Example



UV Resources™
 P.O. Box 800370 • Santa Clarita • California • 91380
 (877) UV4-HVAC (884-4822) • Fax: (877) 794-1294

www.UVResources.com

Specifications subject to change without notice - ©UV Resources 2013, all rights reserved