

X-Plus™ NEMA 4X Fixture

BENEFITS

- Patent-pending, feature packed design
- NEMA 4X construction for use anywhere
- Simplified installation, operation, and service
- No need to open equipment to change lamps
- LampClamp™ provides no tools re-lamping
- Complete safety — 2-step power lockout
- Lockable access prevents unauthorized service
- Typical install provides 360° UV-C distribution
- Light, reinforced, polycarbonate construction
- Minimal solar gain maximizes component life
- Easy wiring to power and additional fixtures
- Lowest ownership cost of any NEMA 4X fixture
- 3 year fixture, 1 year lamp warranties
- UL Listed under all ABQK categories

UV-C's ability to disinfect and degrade organic material is well established in both research and application (ASHRAE, Science, GSA and the CDC). UV-C systems are also one of the industry's most favored maintenance and energy tools. Besides uses for disinfecting air streams, their principal use is in keeping coils, drain pans, and other internal services free of microbes, and organic dirt and grime — materials that produce odor, reduce airflow and cooling capacity, and, thus, affect occupant productivity!

The X-Plus™ combines high performance and simplicity in an affordably priced, single-ended lamp device that can be installed almost anywhere UV-C is needed. Exceptional safety features include a lockable entry for outdoor pedestrian areas (through-the-wall units — such as schools, etc.) and two power interlocks to preclude exposure and electrical shock.

X-Plus can be used in airstreams of 1–77°C, 100% RH, and any velocity. Its NEMA 4X design is perfect for rooftop, through-the-wall, and other outdoor units. Versatile lamp lengths of 17 to 61 inches make it perfect for use on both small and large AHUs.

Application

X-Plus installs from the exterior of A/C equipment or ductwork. It's perfect for hard to access outdoor and indoor equipment of up to 30 tons and over. It can be installed either vertically or horizontally by making a simple 1-inch hole for the lamp, and it properly attaches to surfaces with self-drilling screws (included). Each fixture has four 1/2-inch electrical knockouts for convenient wiring to both power and additional units, if used. A rubber gasket seals between the fixture and its install site to ensure a leak-free install (included).

REPRESENTED BY:

UVR UV RESOURCES

Corporate Office

P.O. Box 800370

Santa Clarita, CA 91380-0370

Phone 877.884.4822

Fax 877.794.1294

Website www.UVRResources.com

CONSTRUCTION

FIXTURES are exterior mount, single-ended lamp, factory-assembled types constructed of reinforced polycarbonate for use outdoors. They consist of a NEMA 4X rated Housing and Driver, LampClamp/Holder, Housing Cover, and Lamp and are UL Listed – ABQK.

HOUSING/COVER includes a lamp support for lamp lengths to 61", an O-ring to seal the interior against the elements and a rubber gasket to seal between the mounting surface and housing. The housing contains all components in one assembly for maximum safety and serviceability without the use of tools. The cover incorporates a disrupt lever to actuate the interlock switch on and off and eyelets to lock against unwanted entry. It has four (4) 1/2-inch electrical knockouts and four (4) mounting holes to facilitate installation.

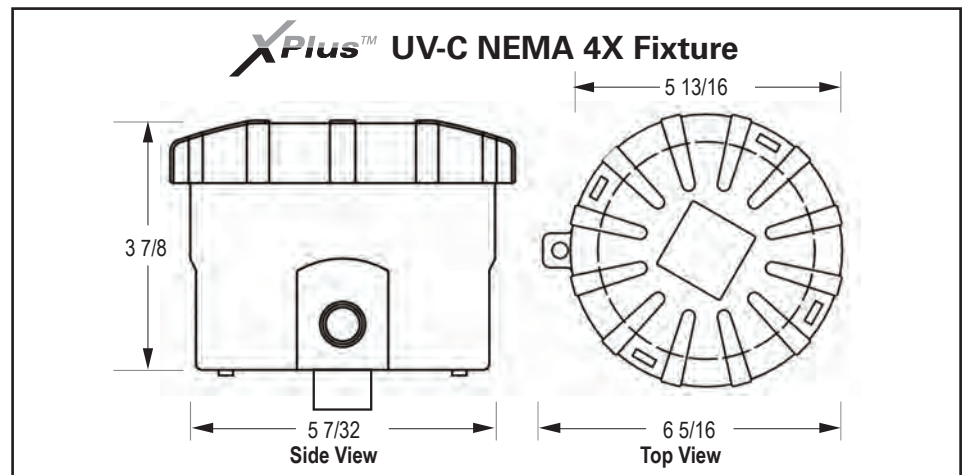
DRIVER is a UL Listed 120–240 Vac $\pm 10\%$ 50–60 Hz, high power factor, low THD, Class P, Sound Rated "A", auto-matching, Type 1 Outdoor type with thermal and end of lamp-life protection and no PCB's. It maximizes lamp output, energy efficiency and reliability in lamp lengths from 17 to 61 inches, air of 1° to 70° C and any velocity. It is equipped with an interlock switch and power plug for power lockout during service. It is warranted for three (3) years.

LAMPCLAMP/HOLDER provides adjustable compression of flutes that secure the lamp base within the Holder and provides a watertight seal. Lamp receptacle pins are soldered to the driver for pull-proof connectivity and reliability.

LAMPS are Watt rated, high-output, hot cathode, T5, single-ended types that operate in air of 1–77°C and any velocity. They provide 360° irradiation and do not produce ozone. Their extended bases and filaments extend into the airstream

on double-wall plenums. Useful life is 9000 hours with a <15% loss at end of life.

**Contact factory for wiring to 277 Vac power sources.*



ORDERING INFORMATION

Model #	P/N	Description	Electrical	Weight (Lbs)
FIXTURE HOUSING				
XP-SO-MV	57800550	X-Plus Singled Ended NEMA 4X Standard UVC Output – 120–240 Vac; Lamp Lengths from 17" to 61"	120–240 V, 50–60 Hz, 0.38–0.61A @ 120 V	1.5
LAMPS (Order 1 lamp of desired length per X-Plus fixture. Fixture ships without lamp.)				
SEL-17-SO-T5-1	57033551	SEL 17" Single Ended Standard Output Lamp		1
SEL-22-SO-T5-1	55043551	SEL 22" Single Ended Standard Output Lamp		1
SEL-23-SO-T5-EF-1	57013551	SEL 23" Single Ended Standard Output-Extended Base	NEW	1
SEL-33-SO-T5-1	55063551	SEL 33" Single Ended Standard Output Lamp		1
SEL-36-SO-T5-EB-1	57073551	SEL 36" Single Ended Standard Output Lamp-Extended Base	NEW	0.75
SEL-45-SO-T5-EB-1	57083551	SEL 45" Single Ended Standard Output Lamp-Extended Base	NEW	1
SEL-60-SO-T5-EB-1	57093551	SEL 60" Single Ended Standard Output Lamp-Extended Base	NEW	2
ACCESSORIES				
SDT-480-277-240	90004882	Step-Down Transformer	480-277-240 to 120 Vac	3
XP-120-SC	90004300	6' Power Cord		0.5

The health aspects associated with the use of this product and its ability to aid in the disinfection of environmental air have not been investigated by UL.



Specifications subject to change without notice.

© UV Resources 2005–2014 57003520 Rev F

The UVR website contains tools that let you select, specify, and/or purchase complete UV-C systems. You'll also find valuable content that will help simplify installation, operation, and maintenance of UV-C systems. For more information, go to www.uvrresources.com